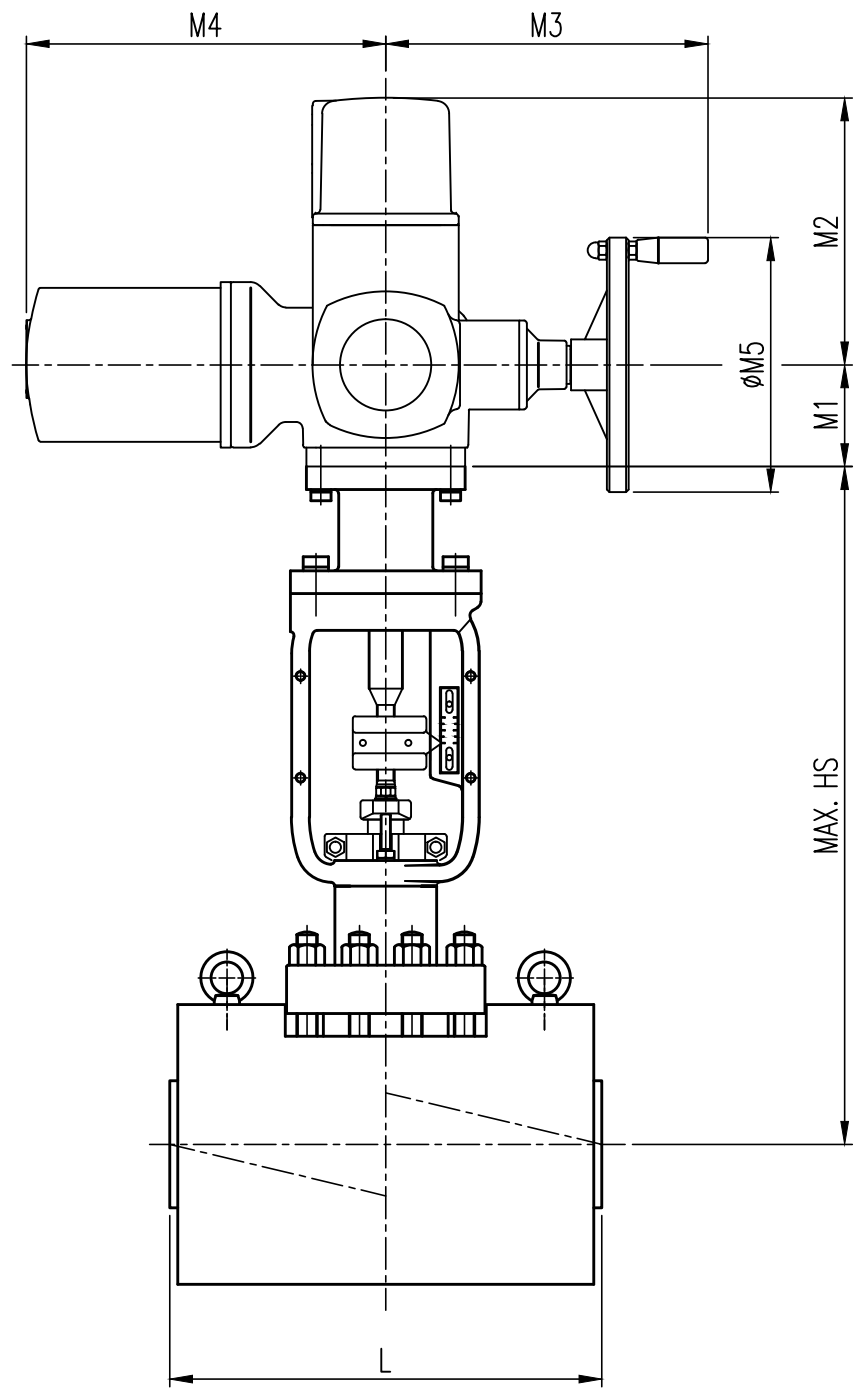
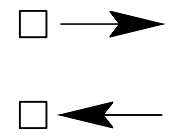


THIS DOCUMENT CONTAINS PROPRIETARY INFORMATION WITH ALL RIGHTS AND TITLE RESERVED AND MAY NOT BE REPRODUCED IN WHOLE OR PART WITHOUT WRITTEN CONSENT OF SVC Inc.



FLOW DIRECTION



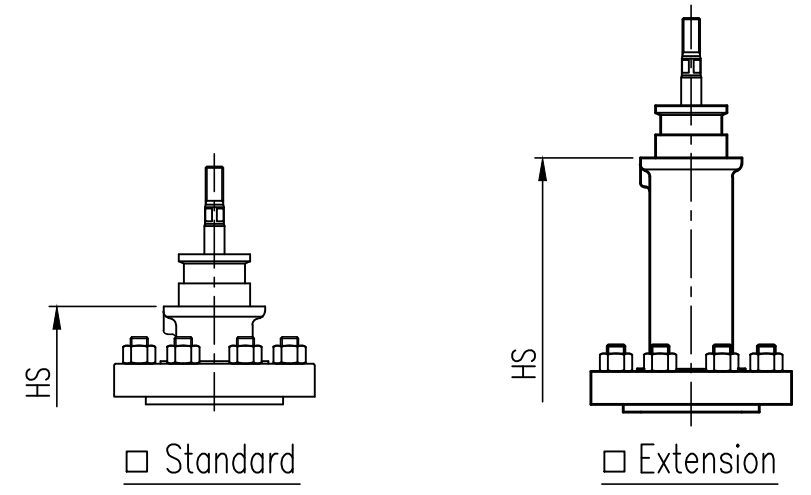
SPECIFICATION	
MODEL	<input type="checkbox"/> SV130D <input type="checkbox"/> _____
SIZE (BODY x TRIM)	_____ x _____
STROKE	<input type="checkbox"/> 20 <input type="checkbox"/> 30 <input type="checkbox"/> 40 <input type="checkbox"/> 50 <input type="checkbox"/> 60 <input type="checkbox"/> 70 <input type="checkbox"/> 80 <input type="checkbox"/> 100 <input type="checkbox"/> 130 <input type="checkbox"/> 150
TRIM TYPE	<input type="checkbox"/> MICRO <input type="checkbox"/> V-NOTCH <input type="checkbox"/> CONTOURED <input type="checkbox"/> PORTED <input type="checkbox"/> _____ <input type="checkbox"/> DRILLED HOLE CAGE
RATING	<input type="checkbox"/> ASME 150 <input type="checkbox"/> ASME 300 <input type="checkbox"/> ASME 600 <input type="checkbox"/> ASME 900 <input type="checkbox"/> ASME 1500
MATERIAL	BODY & BONNET <input type="checkbox"/> A216 WCB <input type="checkbox"/> A217 WC6 <input type="checkbox"/> A217 WC9 <input type="checkbox"/> A351 CF8M <input type="checkbox"/> A351 CF8 <input type="checkbox"/> A182 F11
	PLUG <input type="checkbox"/> 316SS <input type="checkbox"/> 316SS+STF <input type="checkbox"/> 410SS+HT <input type="checkbox"/> INCONEL 718 <input type="checkbox"/> _____
	SEAT <input type="checkbox"/> 316SS <input type="checkbox"/> 316SS+STF <input type="checkbox"/> 316SS + TEFLON <input type="checkbox"/> 410SS+HT <input type="checkbox"/> A182 F11 + Full STF <input type="checkbox"/> _____
	PACKING <input type="checkbox"/> V-PACKING (25% G.F) <input type="checkbox"/> GRAPHITE <input type="checkbox"/> V-TFE <input type="checkbox"/> _____
	GASKET <input type="checkbox"/> 304SS + G.F <input type="checkbox"/> 316SS + G.F
FAILURE MODE	<input type="checkbox"/> CLOSE <input type="checkbox"/> OPEN <input type="checkbox"/> LOCK
TAG. NO.:	_____
REMARK.	_____


BODY ASSEMBLY DIMENSIONS			
BODY SIZE	L (SW) ASME 900 / 1500	HS	
		ST'D	EXT.
<input type="checkbox"/> 50A (2")	340	550	700

MOTOR ACTUATOR DIMENSIONS

ACT.MODEL	M1	M2	M3	M4	M5
<input type="checkbox"/> MOTOR	80	210	260	285	200
<input type="checkbox"/> _____					

unit : mm



MARK	DATE	DGN	CHK	REV	APP	MODEL	SIZE	RATING	ITEM	PART NAME	REV.	
A	2019.02.11	AN. LEE	DG. HA	P.J.S	P.J.S	SV130D	-	-	 2 WAY GLOBE CONTROL VALVE	APPROVAL OUTLINE DRAWING	A	
B						MATERIAL	-	-		DRAWING NO.	SV130D-MOV-01	SHEET
C						SCALE	N/S	PROJECTION		3rd	1/1	